



CARMIX

products
catalogue



C A R M I X

#	Specification	Carmix 1.0	Carmix 2.5 FX	Carmix 2.5	Carmix 3.5 T4	Carmix 5.5 XL
1	Mixing unit	Drum Capacity 1400 liters. Real concrete output: 1 m3 per batch. Double mixing screws. Cover for emergency unloading. Drum rotation by hydraulic motor and planetary reducers. Mixing and discharging speed independent from r.p.m. Of diesel engine. Quick discharge by drum tilting.	Drum capacity 3450 liters. Concrete output: 2,5 m3. Double mixing screw, cover for emergency unloading. Mixing and discharging speed independent from r.p.m. of diesel engine. Discharging by reversing drum.	Drum capacity 3400 liters. Concrete output: 2,5 m3 per batch. Double mixing screws, cover for emergency unloading. Drum rotation by hydraulic motor and planetary reducers. Mixing and discharging speed independent from r.p.m. Of diesel engine. Discharging by reverse drum. Quick discharge by drum tilting. The mixing unit is slewing hydraulically through 300° for high discharge at 1,9 m to the four sides of the vehicle.	Drum capacity 4.750 liters. Concrete output: 3,5 m3 per batch. Double mixing screws, cover for emergency unloading. Drum rotation by hydraulic motor and planetary reducers. Mixing and discharging speed independent from r.p.m. Of diesel engine. Discharging by reverse drum. Quick discharge by drum tilting. The mixing unit is slewing hydraulically through 300° for high discharge over 2 m to the four sides of the vehicle.	Drum capacity 7.600 liters. Concrete output: 5,5 m3 per batch. Double mixing screws, cover for emergency unloading. Drum rotation by hydraulic motor and planetary reducers. Mixing and discharging speed independent from r.p.m. Of diesel engine. Discharging by reverse drum.
2	Engine	Diesel Cummins, A1700 water-cooled, 3 cylinders. Power 28 kW. (37 HP) set at 2800 r.p.m. Electric starter.	Turbo diesel JCB 444TC, water cooled, 4 cylinders. Power 63 KW (85HP) set at 2200 r.p.m.	Diesel PERKINS 1104 C-44 water-cooled, 4 cylinders. Rated power KW 62 (85 HP) set at 2300 rpm. Engine mounted transversal on the rear.	Diesel PERKINS 1104 C-44 TA Turbo, water cooled, 4 cylinders. Rated power KW 80 (107 HP) set at 2300 rpm. Engine mounted transversal on the rear.	Cummins Turbo-Diesel B5.9 TAA, water-cooled, 6 cylinders. Maximum power 112 kW. (150 HP). Engine mounted transversal on the rear.
3	Transmission	Hydrostatic. A variable outlet pump drives the hydraulic two speed motor connected to the differential through the two speed reducers. 4 wheel driving.	Hydrostatic Bosch-Rexroth. Heavy duty differential axles with planetary reducers. Front axle swinging and steering. Rear axle fixed.	Hydrostatic, Hydromatic-Rexroth. Pump and motor are Kynected to the differentials through a 2 speed reducer (working and transfer). 4 wheel driving.	Hydrostatic, Hydromatic-Rexroth. Pump and motor are connected to the differentials through a 2 speed reducer (working and transfer). 4 wheel driving.	Hydrostatic. Pump and motor are connected to the differentials through a 2 speed reducer (working and transfer). 4 wheel driving and steering.

OSTIM Industrial Investments & Business Inc.

(OSTİM Endüstriyel Yatırımlar ve İşletme A.Ş.)

100. Yıl Bulvarı No: 99 Ostim 06370 Ankara / TURKEY

Phone: +90 312 3856700 / 6701 / 6702 - Fax: +90 312 3856703

www.ostimlce.com - info@ostimlce.com



CARMIX 1.0



CARMIX 2.5 FX



CARMIX 3.5 TT



CARMIX 5.5 XL



#	Specification	Carmix 1.0	Carmix 2.5 FX	Carmix 2.5	Carmix 3.5 T4	Carmix 5.5 XL
4	Speed	Working speed from 0 to 7 km/h, road transfer from 0 to 14 km/h. Electric servo control.	Working speed from 0 to 10 km/h, road transfer from 0 to 24 km/h. Electric servo control.	Working speed from 0 to 9 km/h, road transfer from 0 to 25 km/h. Electric servo control.	Working speed from 0 to 9 km/h, road transfer from 0 to 25 km/h. Electric servo control.	Working speed from 0 to 10 km/h, road transfer from 0 to 30 km/h.
5	Driving Seat	Reversible seat with automatic inversion of hydraulic steering circuit. ROPS-FOPS Canopy.	ROPS-FOPS canopy. Reversible seat with automatic inversion of hydraulic steering circuit.	Front cab on side of loading shovel. ROPS-FOPS type complete of double closing door.	Front cab on the side of loading shovel. ROPS-FOPS type complete of double closing door.	Front cab on the side of loading shovel. ROPS-FOPS type complete of double closing door.
6	Hydraulic System	3 circuits. Variable outlet pumps for hydrostatic transmission and drum rotation. Gear pumps for services and steering. Heat exchanger type water/oil-air.	Three independent circuits. Two variable outlet pumps for hydrostatic transmission and drum rotation. One pump for services. Inlet and outlet filter. Heat exchanger water/oil-air type.	Three circuits. 2 variable outlet pumps for hydrostatic transmission and drum rotation. 2 gear pumps for service. Inlet and outlet filter. Heat exchanger water/oil-air type.	Three circuits. 2 variable outlet pumps for hydrostatic transmission and drum rotation. 2 gear pumps for services. Inlet and outlet filter. Heat exchanger water/oil-air type.	Three circuits. 2 variable outlet pumps for hydrostatic transmission and drum rotation. 2 gear pumps for services. Inlet and outlet filter. Heat exchanger water/oil-air type.
7	Joymix	x	x	All hydraulic functions of shovel and slewing drum controlled by a single fully servo controlled Joystick.	All hydraulic functions of shovel and slewing drum controlled by a single fully servo controlled Joystick.	All hydraulic functions of shovel controlled by a single fully servo controlled Joystick lever.
8	Loading Shovel	Capacity 180 liters.	Capacity 400 liters, Complete with hydraulic opening gate.	Capacity 400 liters. Complete with hydraulic opening gate.	Capacity 540 liters. Complete with hydraulic opening gate.	Capacity 600 liters. Complete with hydraulic opening gate.
9	Chute	Slewing and manual tilting.	Slewing and hydraulically tilting.	Slewing and hydraulically tilting. Fitted with two pins easily detachable to increase the discharge height.	Slewing and hydraulically tilting. Fitted with two pins easily detachable to increase the discharge height.	Hydraulic slewing and hydraulic opening gate.
10	Weighing	x	x	x	x	Electronic System. "Load Cells" acting on the drum, display and printer in the cab. (on request)
11	Water System	Self contained. Hydraulic driven water pump. Water meter.	Self contained. Hydraulic driven water pump. Water meter. Washing outlet.	x	Self-contained. Hydraulic driven water pump, water meter, washing outlet. High pressure water pump. (On request)	Self-contained. Hydraulic driven water pump, water meter. High pressure water pump.
12	Gradient	Fully loaded 30%.	Fully loaded 30%.	Fully loaded 30%.	Fully loaded 30%.	Fully loaded 30%.
13	Brakes	Disc brakes. Twin independent circuit for parking and emergency. Mechanical parking brake acting on rear axle.	Oil bath disc brakes inside differential axles. Twin independent circuits. Negative hydraulic parking brake.	Oil bath disc brakes inside differential axles. Twin independent circuits. Negative hydraulic parking brake.	Oil bath disc brakes inside differential axles. Twin independent circuits. Negative hydraulic parking brake.	Oil bath disc brakes inside differential axles. Twin independent circuits. Negative hydraulic parking brake.

OSTIM Industrial Investments & Business Inc.

(OSTİM Endüstriyel Yatırımlar ve İşletme A.Ş.)

100. Yıl Bulvarı No: 99 Ostim 06370 Ankara / TURKEY

Phone: +90 312 3856700 / 6701 / 6702 - Fax: +90 312 3856703

www.ostimlce.com - info@ostimlce.com



CARMIX 1.0



CARMIX 2.5 FX



CARMIX 3.5 TT



CARMIX 5.5 XL



#	Specification	Carmix 1.0	Carmix 2.5 FX	Carmix 2.5	Carmix 3.5 T4	Carmix 5.5 XL
14	Tyres	Off road industrial type 11,5/80 - 15,3 PR 10.	Off-Road industrial type 12.5-20 PR 12.	Off road industrial type 12.5-20 PR 12.	Off road industrial type 16/70-20 PR 14.	Off road industrial type 18-19,5 PR 16.
15	Steering	Hydrostatic. Radius: internal mm 2700, external mm 4600.	Hydrostatic "Load sensing". Radius internal mm. 2550, external mm. 5100.	Hydrostatic. Radius: internal mm. 2400, external mm. 4850.	Hydrostatic. (2 steering) Radius: internal mm. 2450, external mm. 5200. CARMIX 3.5 T4 (4 steerings 3 ways) internal: mm 1700, external mm 3700.	Hydrostatic. 3 ways steering, 4 wheel steering self-lining. Radius: internal mm. 1800 - external mm. 4000
16	Electric System	12 Volt. 80 Ah battery.	12 Volt.. 120 Ah battery for electric start and road lighting. Safety battery cutoff.	12 Volt. 120 Ah battery for electric starter and road lighting. Safety battery cutoff.	12 Volt. 120 Ah battery for electric starter and road lighting. Safety battery cutoff.	12 Volt. 120 Ah battery for electric starter and road lighting. Safety battery cutoff.
17	Tanks	Water: 310 liters. Diesel: 35 liters. Hydraulic oil: 25 liters.	Water 2 x 275 l. Diesel 100 l Hydraulic oil 80 l.	Water: 2 x 270 liters. Diesel: 105 liters. Hydraulic oil: 80 liters.	Water: 2 x 400 liters. Diesel: 115 liters. Hydraulic oil: 80 liters.	Water: 2 x 600 liters. Diesel: 150 liters. Hydraulic oil: 120 liters.
18	Chassis	Articulated steel profile specially engineered for off-road operations.	Steel profile specially engineered for off-road operations.	Steel profile specially engineered for off-road operations.	Steel profile specially engineered for off-road operations.	Steel profile specially engineered for off-road operations.
19	Weight	Kg.2800 in running order.	In running order Kg. 5300.	About Kg. 6000 Equally distributed on both axles.	About Kg. 7300. Equally distributed on both axles.	About Kg. 8800. Equally distributed on both axles.
20	Safety	x	Machine equipped with checking and block valves for maximum safety of the operator.	Machine equipped with checking and block valves for maximum safety of the operator. Self Control avoids drum to slew if shovel's arm is lifted.	Machine equipped with checking and block valves for maximum safety of the operator. Self Control avoids drum to slew if shovel's arm is lifted.	Machine equipped with checking and block valves for maximum safety of the operator.
21	Catalogue	The machine is equipped with Use and Maintenance and Spare Parts Manuals according to CE regulations.	The machine is equipped with Use and Maintenance and Spare Parts Manuals according to CE regulations.	The machine is equipped with Use and Maintenance and Spare Parts Manuals according to CE regulations.	The machine is equipped with Use and Maintenance and Spare Parts Manuals according to CE regulations.	The machine is equipped with Use and Maintenance and Spare Parts Manuals according to CE regulations.

OSTIM Industrial Investments & Business Inc.

(OSTİM Endüstriyel Yatırımlar ve İşletme A.Ş.)

100. Yıl Bulvarı No: 99 Ostim 06370 Ankara / TURKEY

Phone: +90 312 3856700 / 6701 / 6702 - Fax: +90 312 3856703

www.ostimlce.com - info@ostimlce.com

CARMIX

CARMIX 1.0





CARMIX 1.0

OSTİM Industrial Investments & Business Inc.

(OSTİM Endüstriyel Yatırımlar ve İşletme A.Ş.)

100. Yıl Bulvarı No: 99 Ostim 06370 Ankara / TURKEY

Phone: +90 312 3856700 / 6701 / 6702 - Fax: +90 312 3856703

www.ostimlce.com - info@ostimlce.com

CARMIX

CARMIX 2.5 FX



CARMIX 2.5 FX



OSTIM Industrial Investments & Business Inc.

(OSTİM Endüstriyel Yatırımlar ve İşletme A.Ş.)

100. Yıl Bulvarı No: 99 Ostim 06370 Ankara / TURKEY

Phone: +90 312 3856700 / 6701 / 6702 - Fax: +90 312 3856703

www.ostimlce.com - info@ostimlce.com

CARMIX

CARMIX 3.5 TT





CARMIX 3.5 TT

OSTİM Industrial Investments & Business Inc.

(OSTİM Endüstriyel Yatırımlar ve İşletme A.Ş.)

100. Yıl Bulvarı No: 99 Ostim 06370 Ankara / TURKEY

Phone: +90 312 3856700 / 6701 / 6702 - Fax: +90 312 3856703

www.ostimlce.com - info@ostimlce.com

CARMIX

CARMIX 5.5 XL





CARMIX 5.5 XL

OSTIM Industrial Investments & Business Inc.

(OSTİM Endüstriyel Yatırımlar ve İşletme A.Ş.)

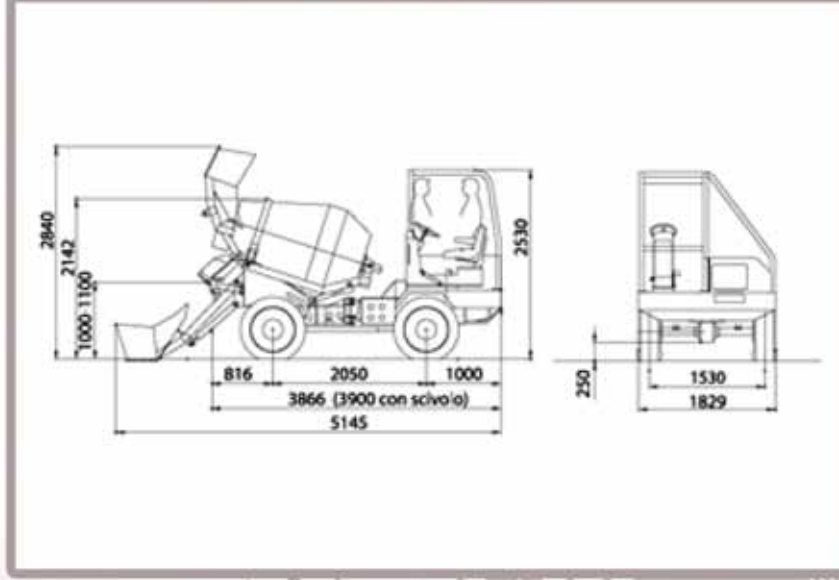
100. Yıl Bulvarı No: 99 Ostim 06370 Ankara / TURKEY

Phone: +90 312 3856700 / 6701 / 6702 - Fax: +90 312 3856703

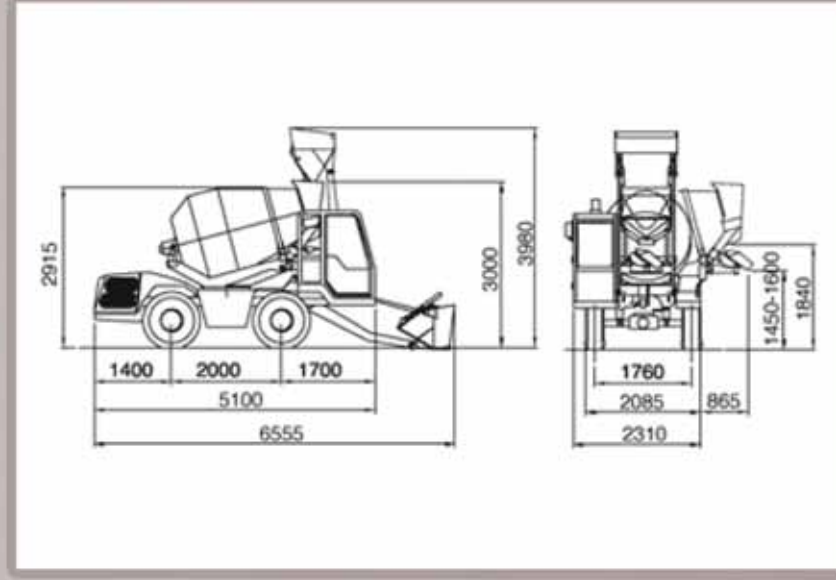
www.ostimlce.com - info@ostimlce.com



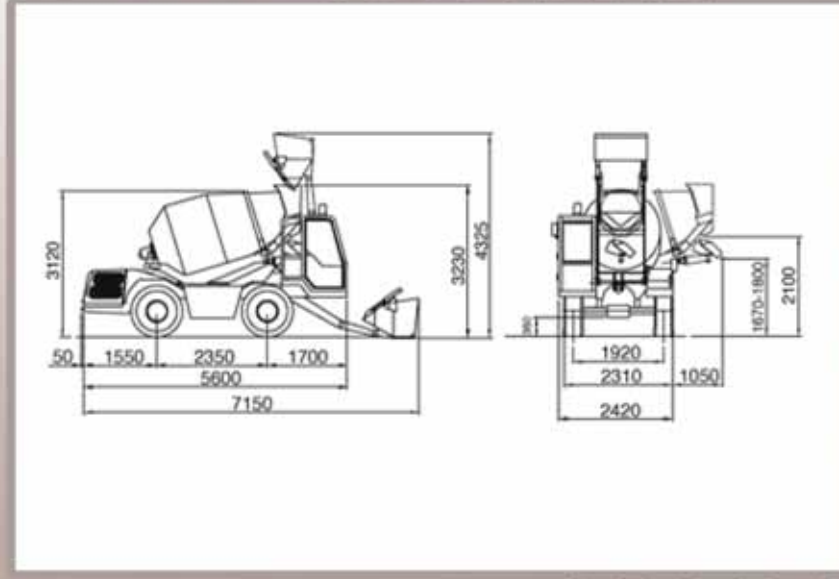
CARMIX 1.0



CARMIX 2.5 FX



CARMIX 3.5 TT



CARMIX 5.5 XL

